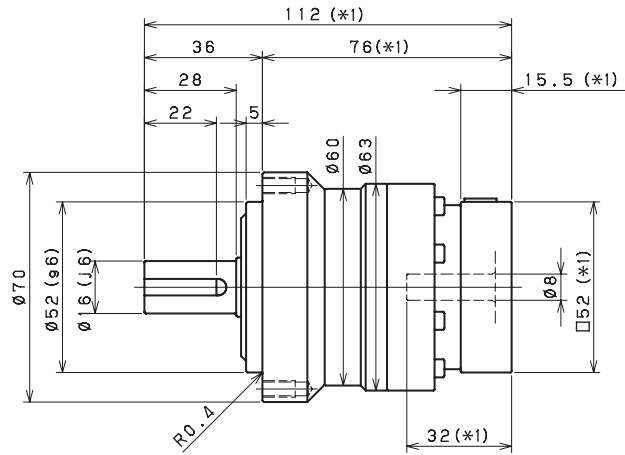
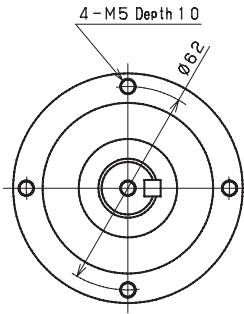


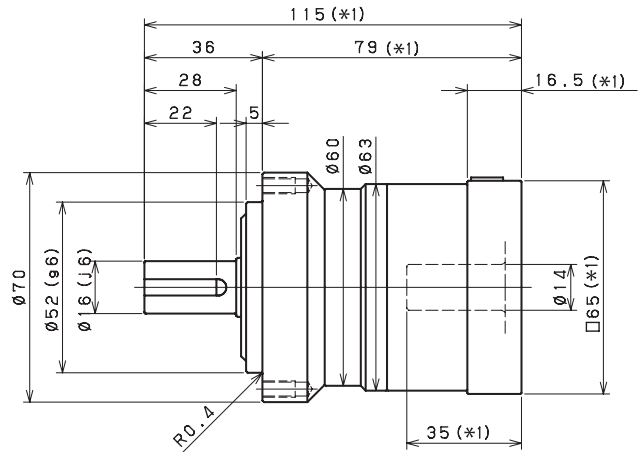
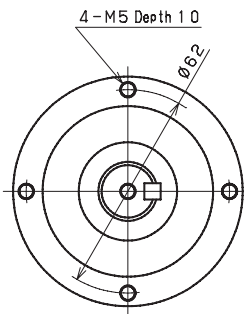
VRL-SERIES Inline shaft

VRL-070 – 1-Stage Dimensions

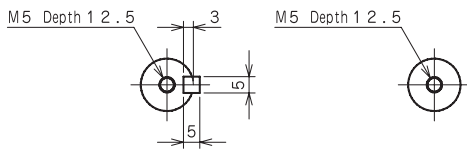
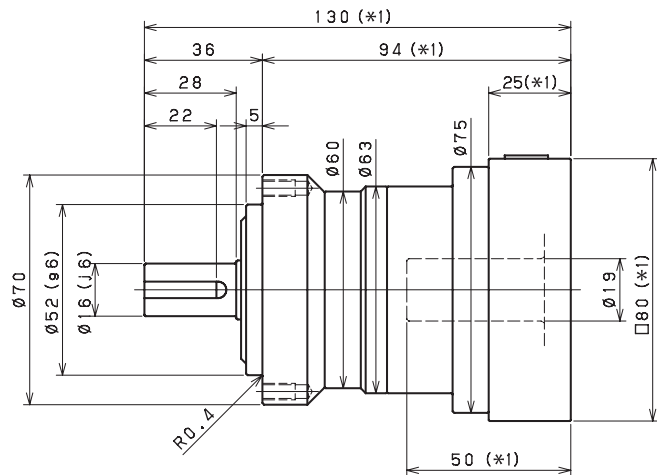
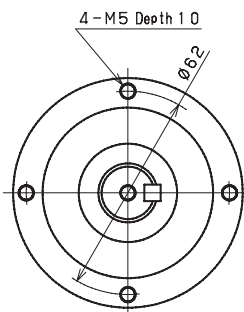
Input shaft bore $\leq \varnothing 8$



Input shaft bore $\leq \varnothing 14$



Input shaft bore $\leq \varnothing 19$



Shaft with key

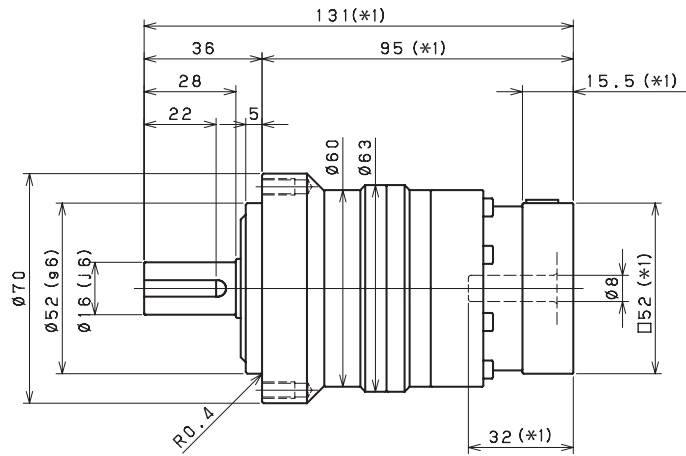
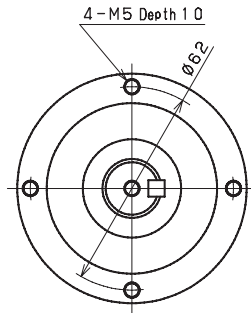
Smooth shaft

- *1) Length will vary depending on motor
- *2) Bushing will be inserted to adapt to motor shaft

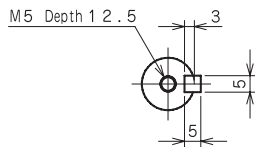
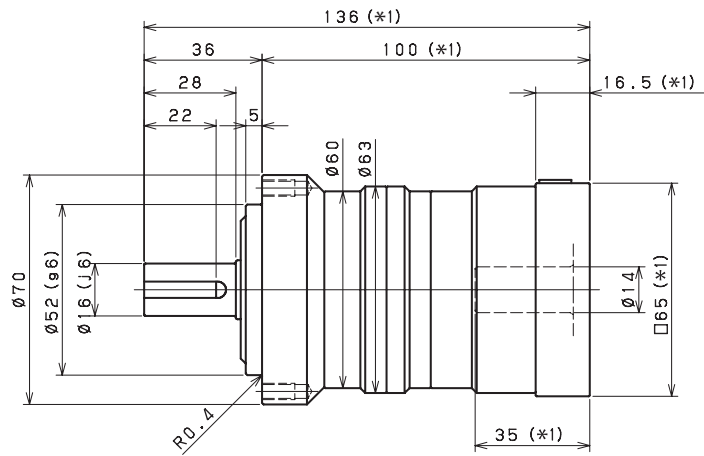
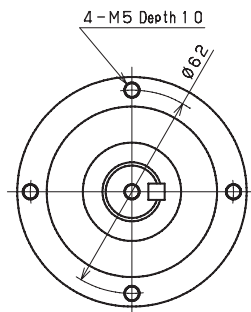
VRL-070 - 2-Stage Dimensions

VRL

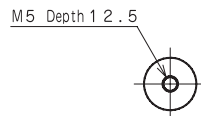
Input shaft bore $\leq \phi 8$



Input shaft bore $\leq \phi 14$



Shaft with key



Smooth shaft

- *1) Length will vary depending on motor
- *2) Bushing will be inserted to adapt to motor shaft