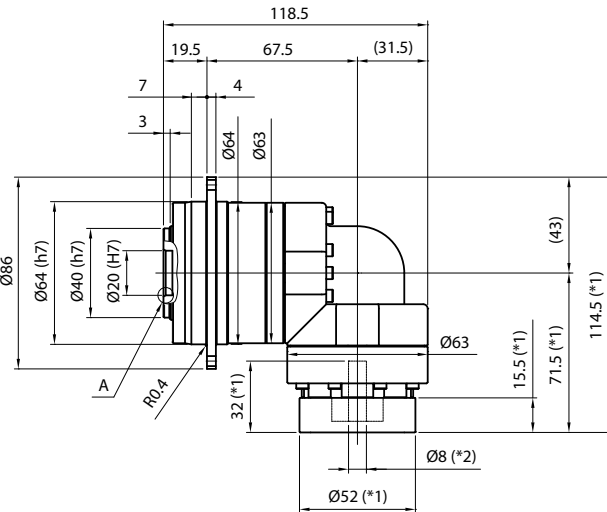
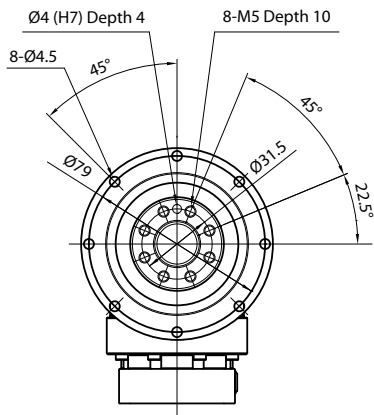


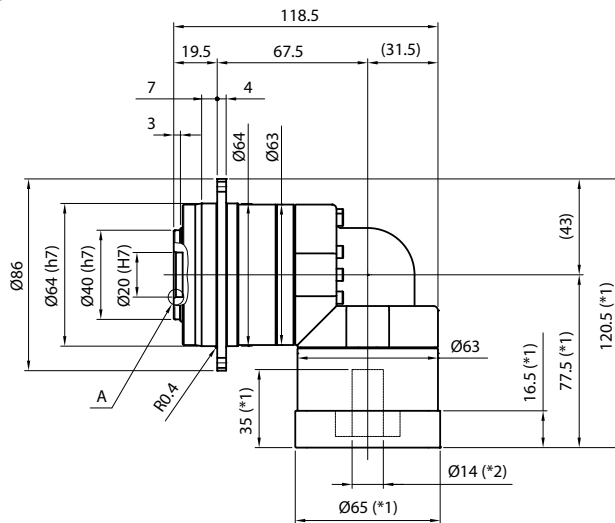
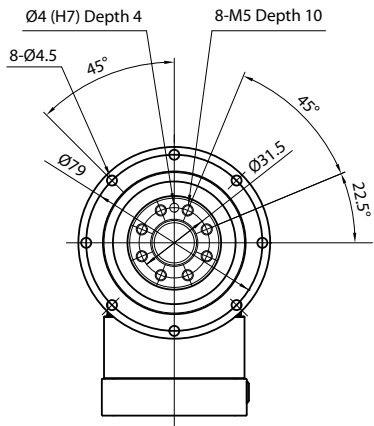
# EVT SERIES Right-angle Planetary

## EVT 064 2-Stage Dimensions

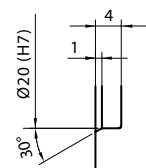
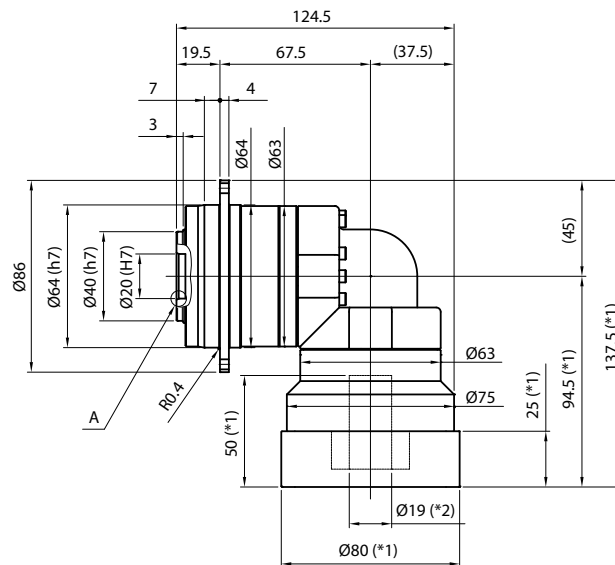
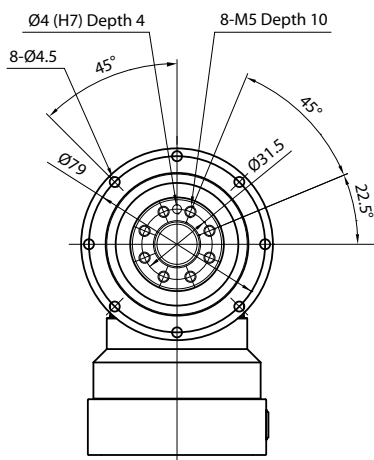
### Input bore size $\leq \varnothing 8\text{mm}$



### Input bore size $\leq \varnothing 14\text{mm}$



### Input bore size $\leq \varnothing 19\text{mm}$



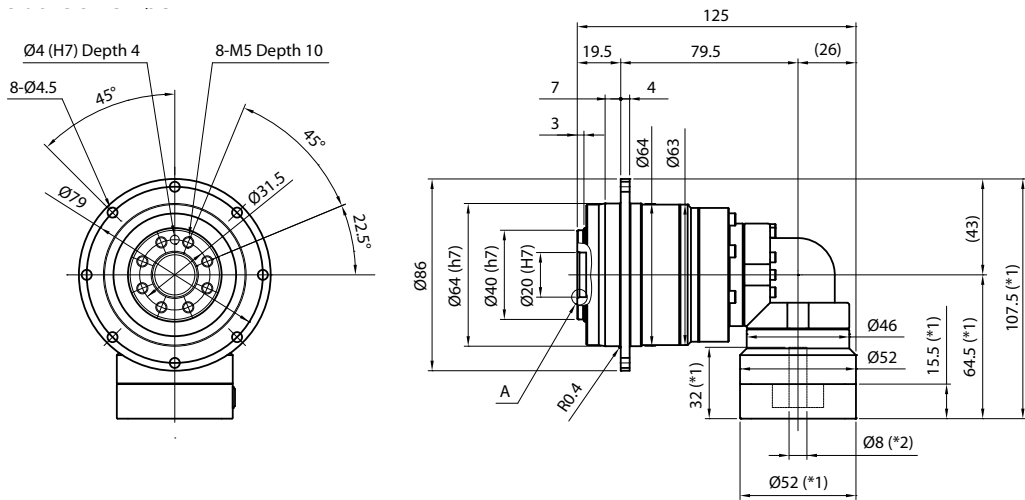
Enlarged detail A

\*1) Length will vary depending on motor

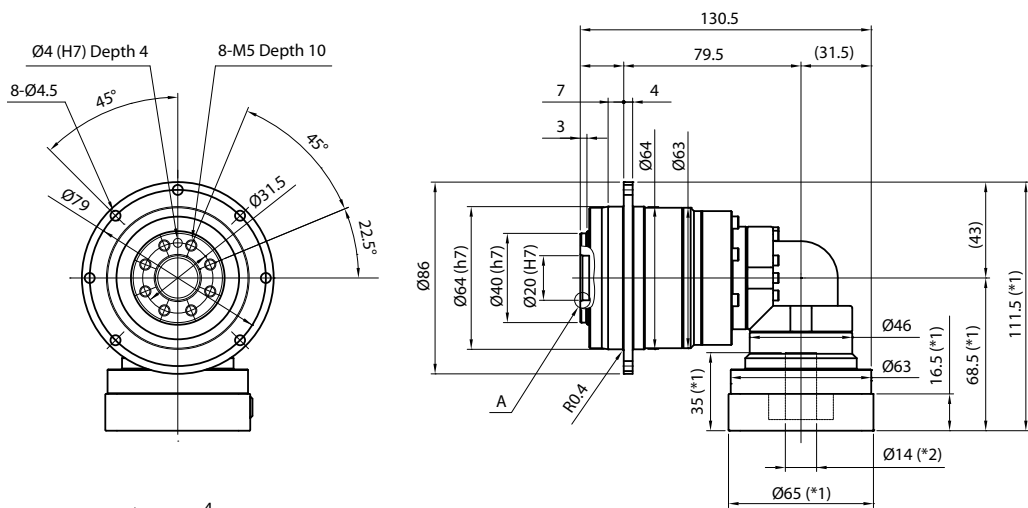
\*2) Bushing will be inserted to adapt to motor shaft

## EVT 064 3-Stage Dimensions

### Input bore size $\leq \varnothing 8\text{mm}$



### Input bore size $\leq \varnothing 14\text{mm}$



\*1) Length will vary depending on motor

\*2) Bushing will be inserted to adapt to motor shaft

Enlarged detail A