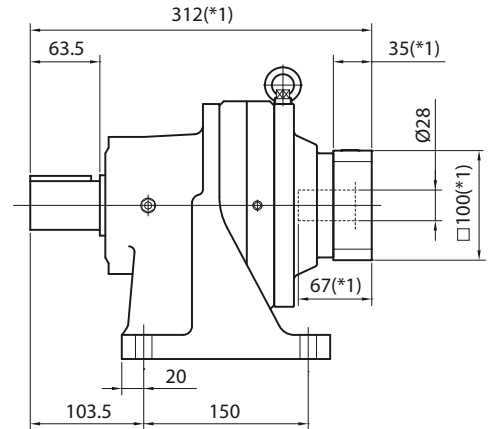
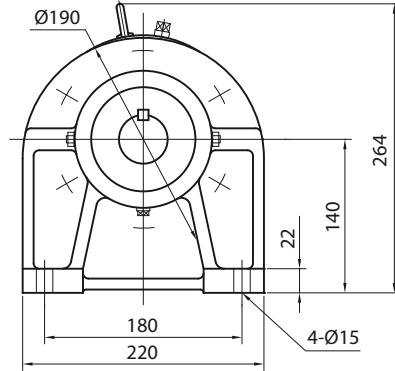
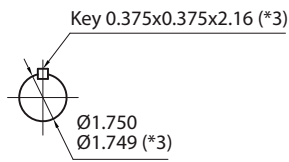
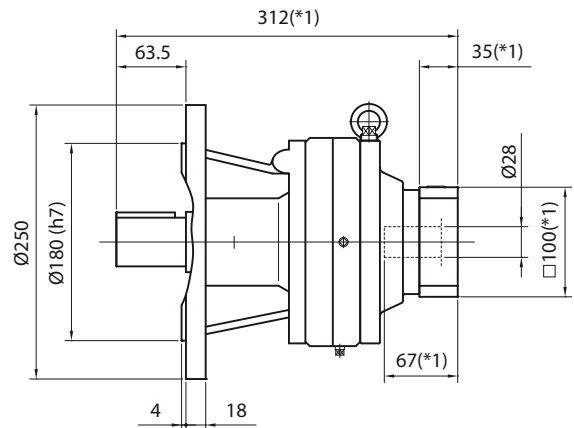
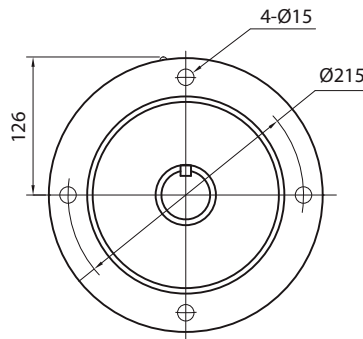
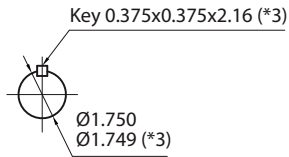


ERH C – Dimensions

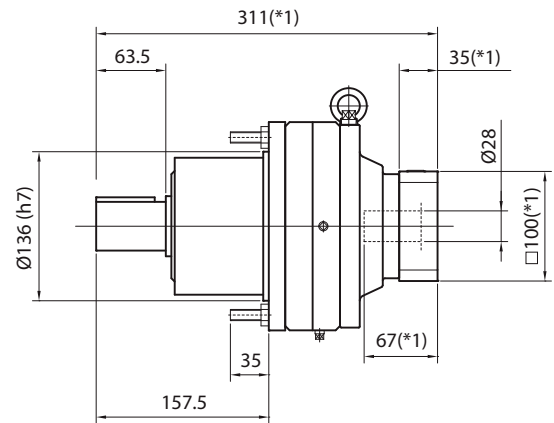
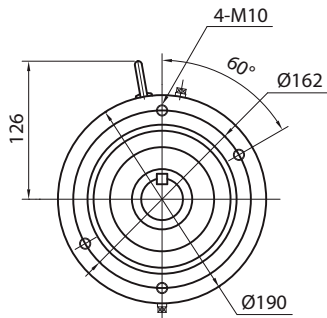
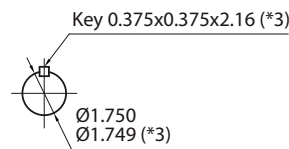
Base Mount



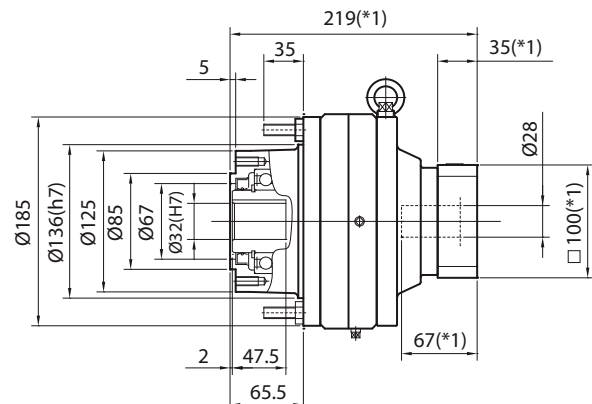
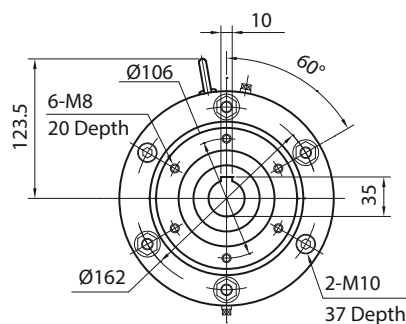
Flange Mount



Ring Mount



Hollow Mount



*1) Length will vary depending on motor

*2) Bushing will be inserted to adapt to input shaft

*3) Unit is in inches