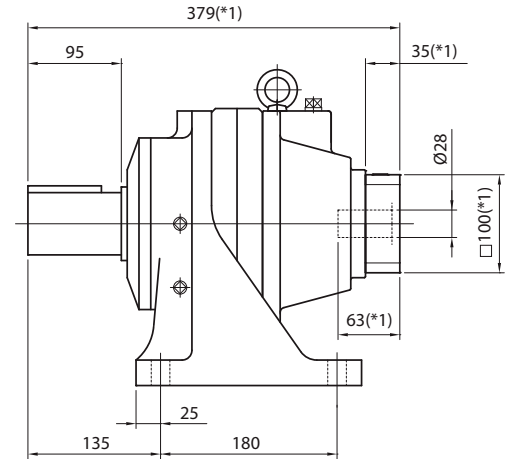
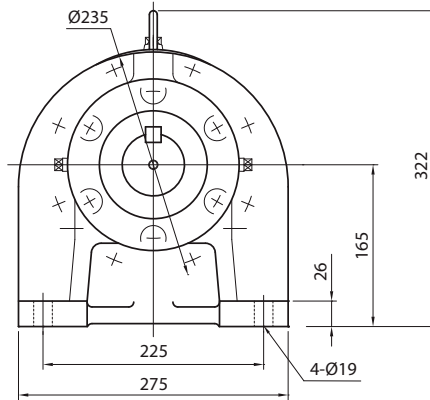
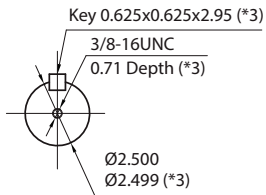
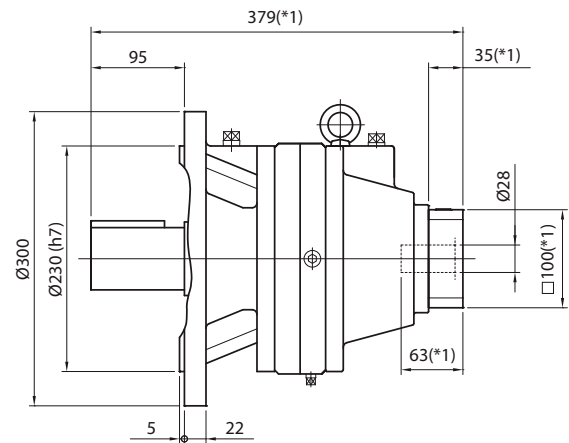
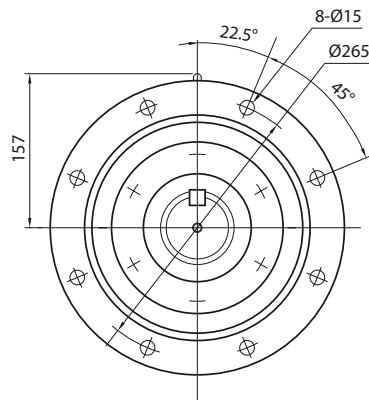
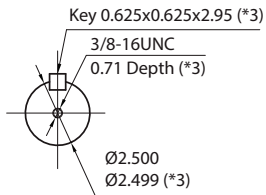


ERH D – Dimensions (Input Bore $\leq \varnothing 28$)

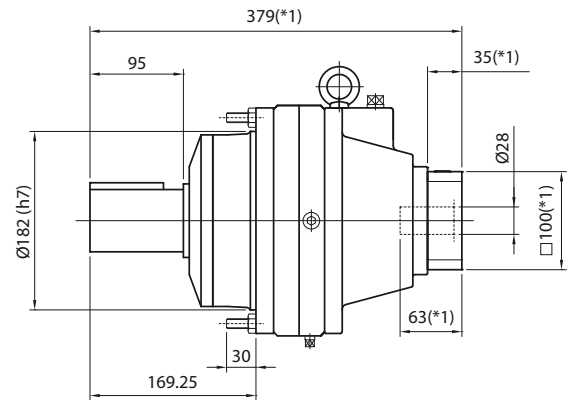
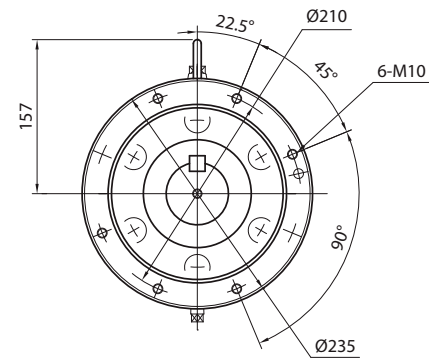
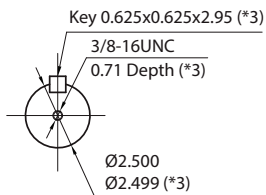
Base Mount



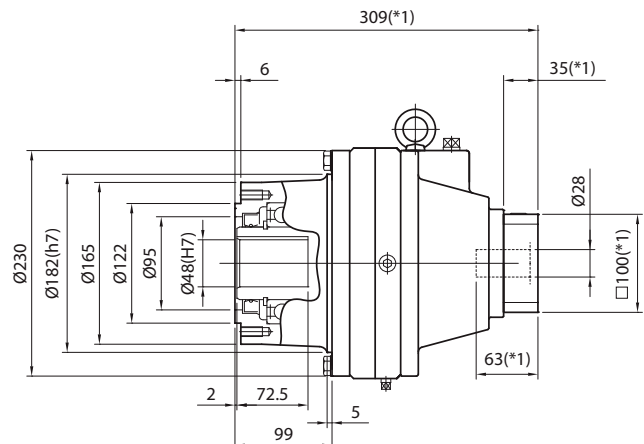
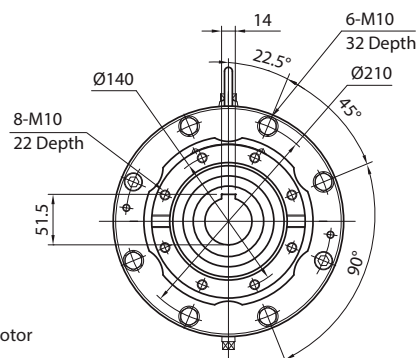
Flange Mount



Ring Mount



Hollow Mount



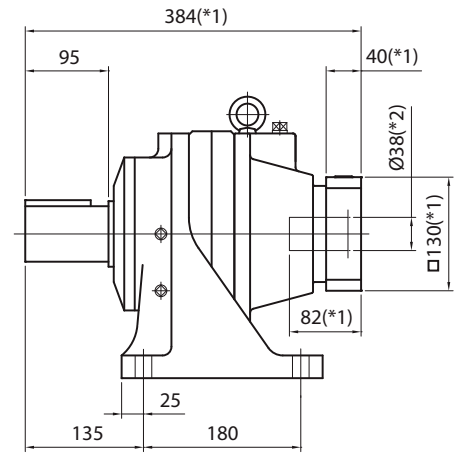
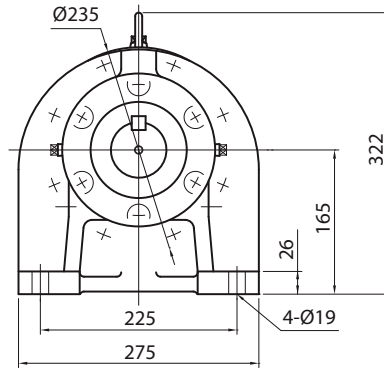
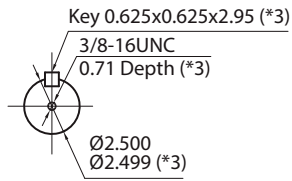
*1) Length will vary depending on motor

*2) Bushing will be inserted to adapt to input shaft

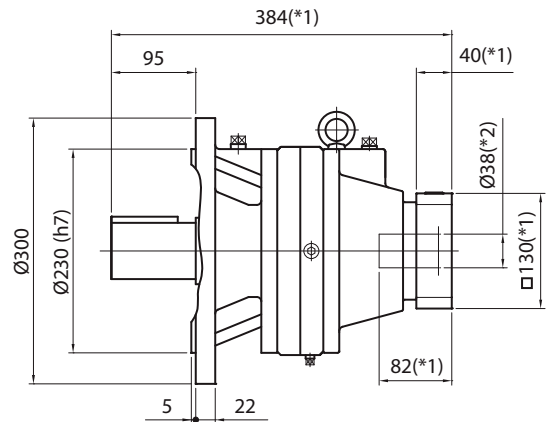
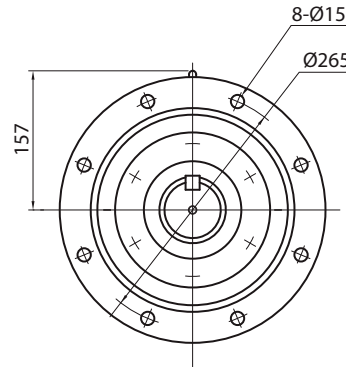
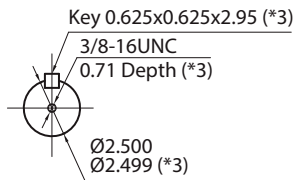
*3) Unit is in inches

ERH D – Dimensions (Input Bore ≤ Ø 38)

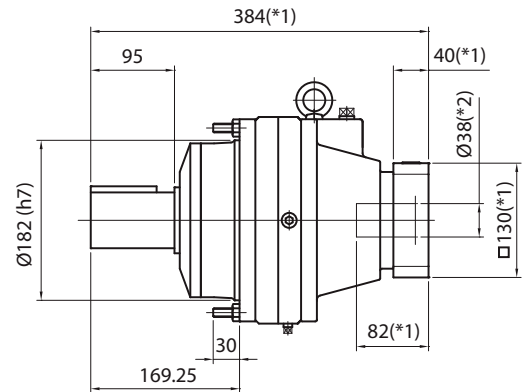
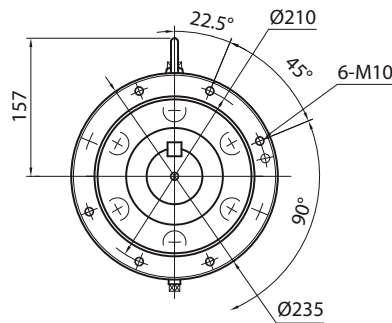
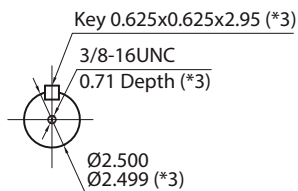
Base Mount



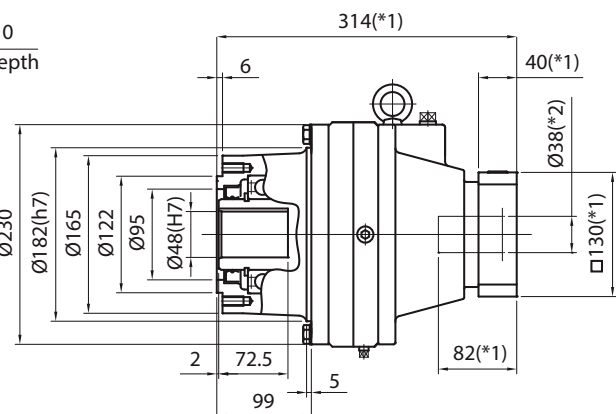
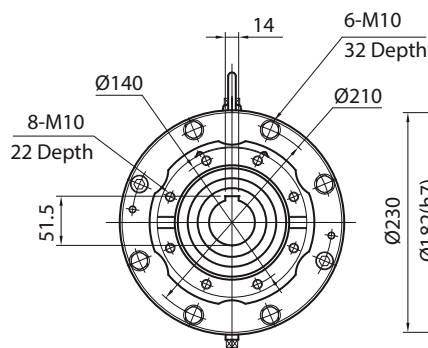
Flange Mount



Ring Mount



Hollow Mount



*1) Length will vary depending on motor

*2) Bushing will be inserted to adapt to input shaft

*3) Unit is in inches