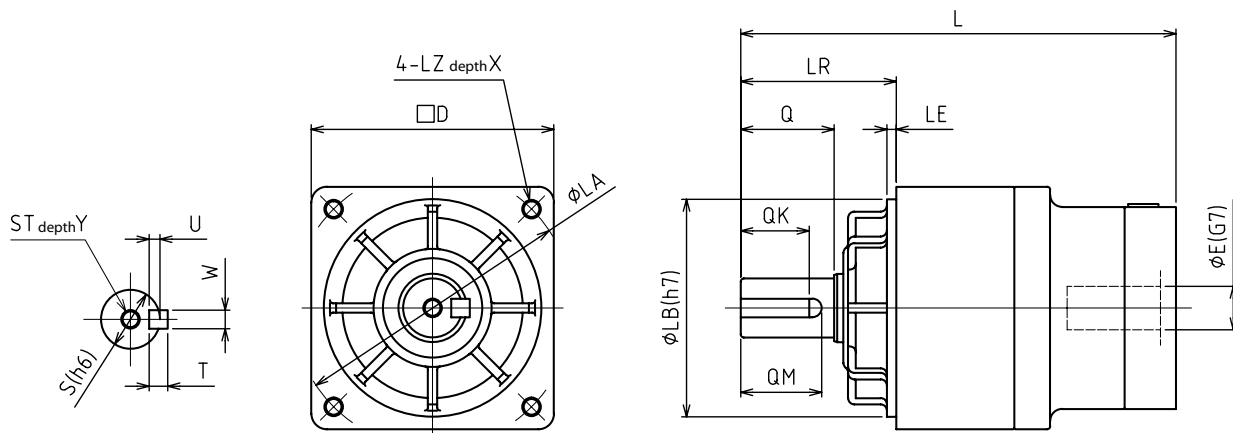


VRSF C-Frame 1-Stage and 2-Stage Dimensions



Frame Size	Ratio	Input Bore Dia. E	Dimensions															
			L	LR	S	ST	Y	Q	QM	QK	W×U	T	D	LB	LE	LA	LZ	X
C	1-Stage	≅ φ14	140	50	19	M6	12	30	26	22	6×3.5	6	78	70	3	90	M6	20
		≅ φ19	156															
	2-Stage	≅ φ8	147.5															
		≅ φ14	150.5															