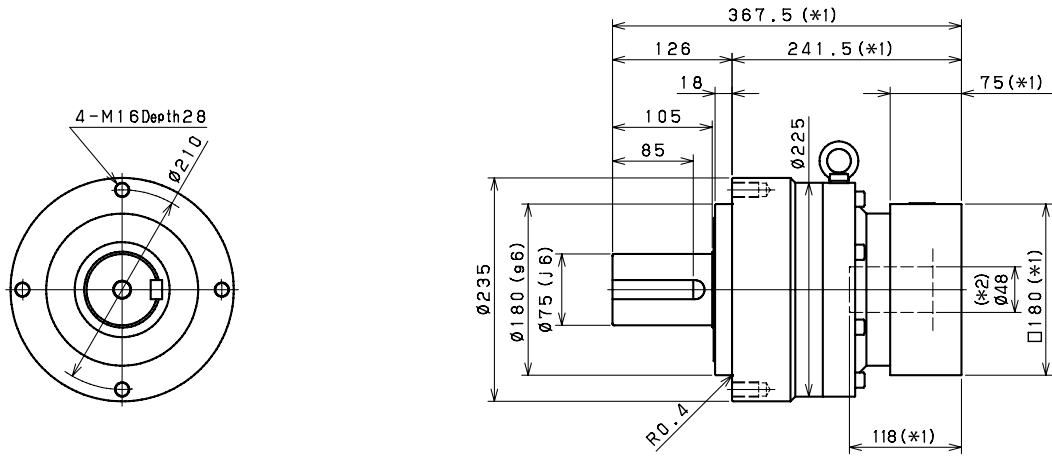


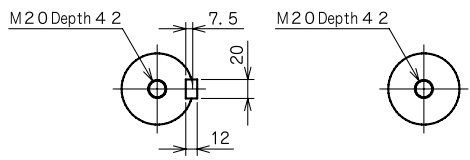
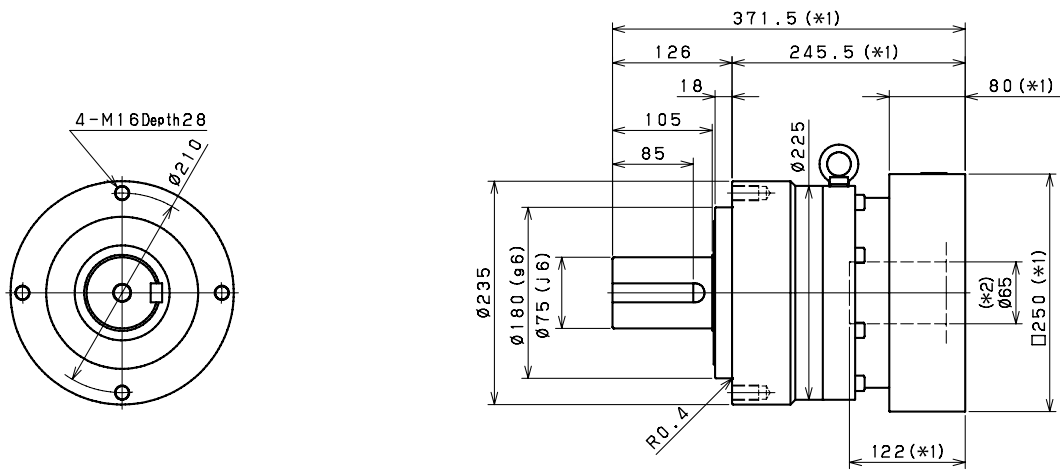
# VRL SERIES Inline Planetary

## VRL 235 1-Stage Dimensions

Input bore size  $\leq \varnothing 48$  mm



Input bore size  $\leq \varnothing 65$  mm



Keyed shaft

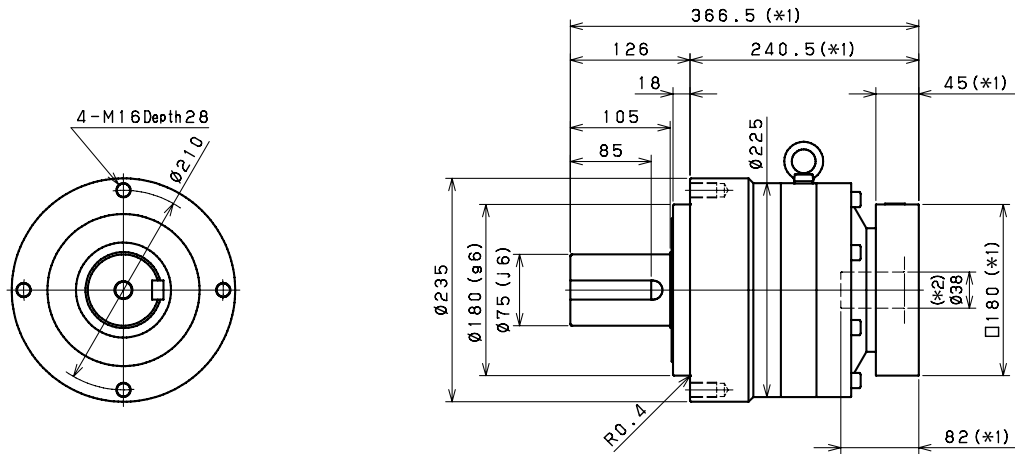
Smooth shaft

\*1) Length will vary depending on motor

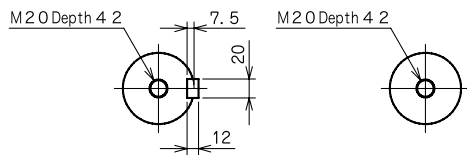
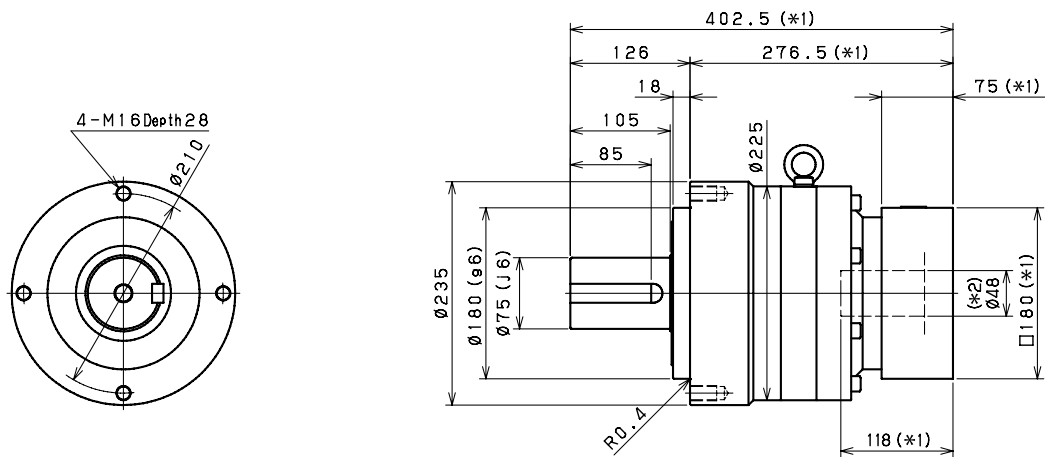
\*2) Bushing will be inserted to adapt to motor shaft

## VRL 235 2-Stage Dimensions

Input bore size  $\leq \varnothing 38$  mm



Input bore size  $\leq \varnothing 48$  mm



- \*1) Length will vary depending on motor
- \*2) Bushing will be inserted to adapt to motor shaft