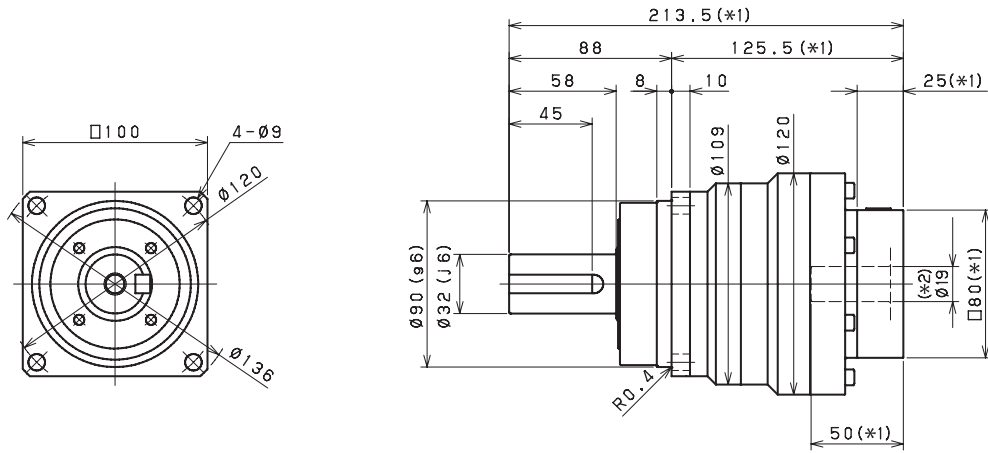
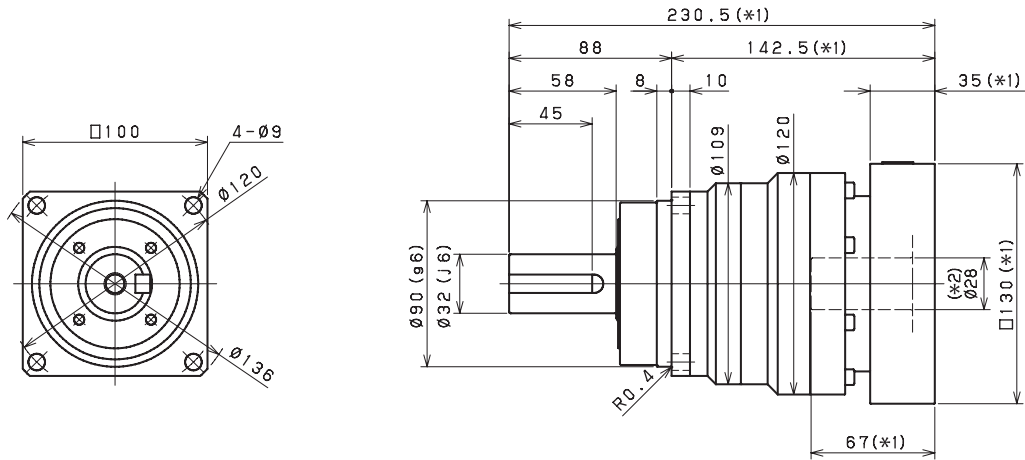


VRS 100 1-Stage Dimensions

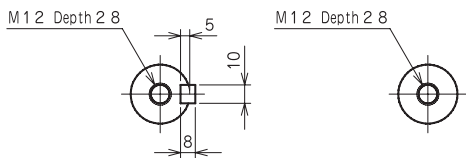
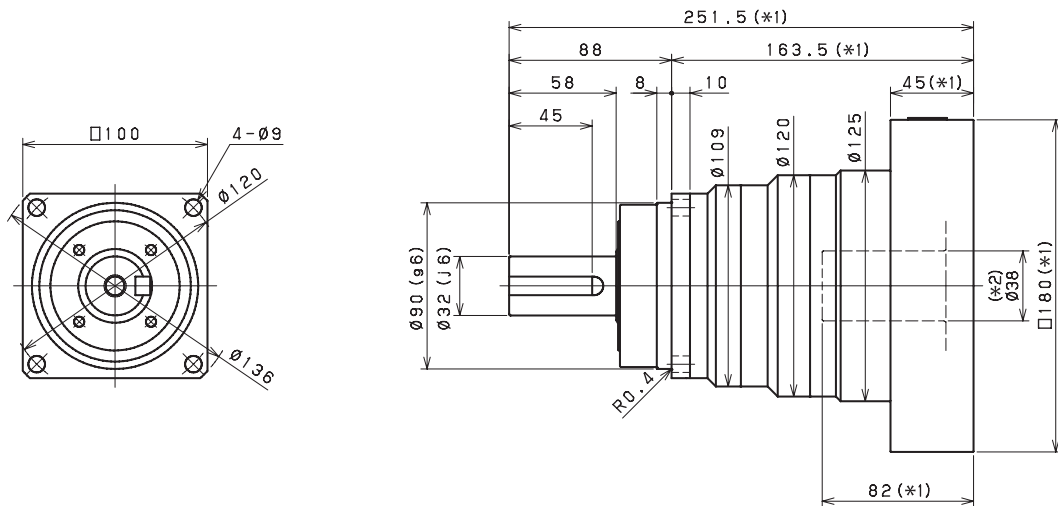
Input bore size $\leq \varnothing 19$ mm



Input bore size $\leq \varnothing 28$ mm



Input bore size $\leq \varnothing 38$ mm



Keyed shaft

Smooth shaft

*1) Length will vary depending on motor

*2) Bushing will be inserted to adapt to motor shaft